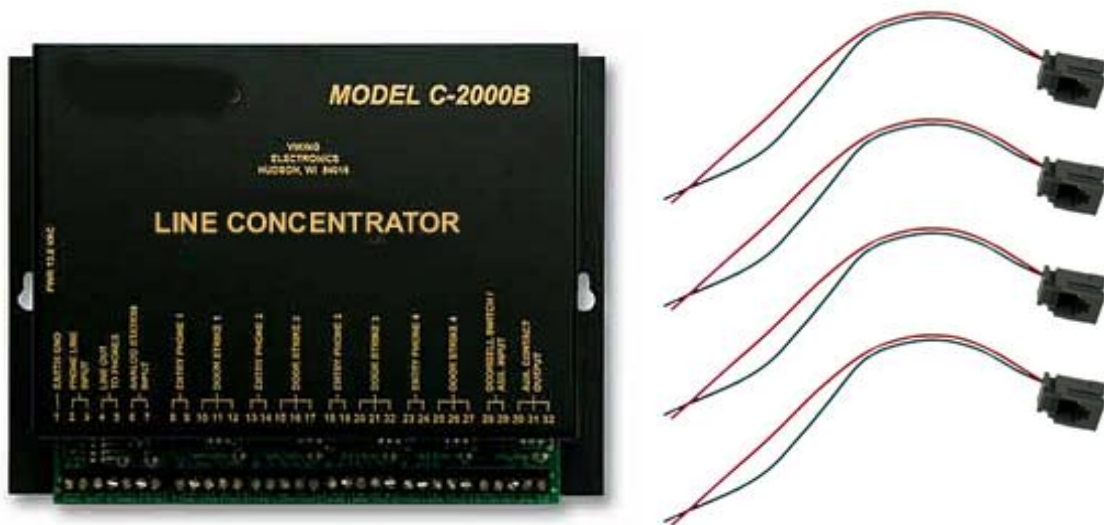


C-1000B LINE CONCENTRATOR 3 to 1



The C-1000B Line Concentrator 3 to 1 allows up to 3 separate C.O. lines to connect to one telecom device.

The C-1000B Line Concentrator 3 to 1 eliminates the need for dedicated incoming phone lines by making your phone system more efficient. One fax machine, answering machine, modem or any phone device can answer 2 or 3 phone lines.

When a device, such as a modem or a fax machine needs incoming access to more than one phone line, the Line Concentrator will allow it access 2 or 3 phone lines.

The C-2000B allows single line phones or phone systems to share 1-3 phone lines.

Use the C-1000B Line Concentrator 3 to 1 to share multiple lines between single line phones, a single modem, one fax machine or fax modem, as well as any other phone connected equipment.

All incoming calls from all 3 of the lines ring only one device. All outgoing calls go out on line one unless you enter a security access code. For line 2 simply push #1 on your telephone keypad. To access line 3 push #3 on your keypad.

Installation

Line Concentrator Mode (One Telcom Device Can Answer up to Three Lines)

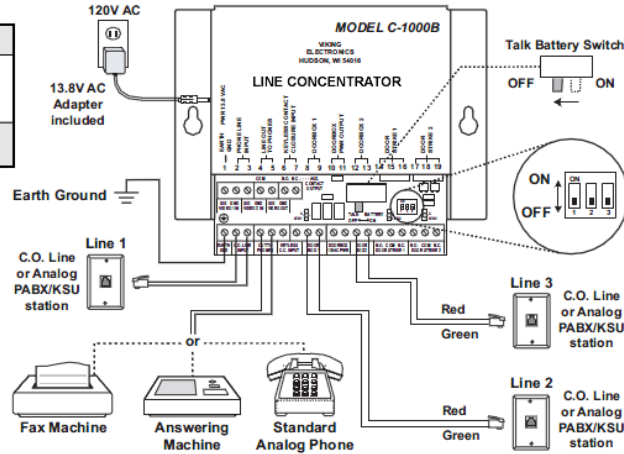
The C-1000B can be used as a line concentrator, allowing up to 3 separate C.O. lines to connect to one telcom device.

Step 1.	Connect as shown to the right.
Step 2.	Move DIP switch 3 to the OFF position. See the C-1000B Technical Practice, Programming section E.
Step 3.	Be sure the "Talk Battery Switch" is set to OFF .

Line Concentrator Operation

The first ringing line will ring to the "LINE OUT TO PHONES" terminals 4 & 5 on the C-1000B. On outbound calls, the C-1000B will default to the primary line (line connected to the "PHONE LINE INPUT" terminals 2 & 3). To access the lines connected to "PHONE LINE 2" terminals or "PHONE LINE 3" terminals, simply enter Touch Tones "#1" or "#2" respectively.

Note: DIP switch 3 must be in the OFF position.



SPECS

- 1 Year Warranty
- Power: 120VAC / 13.8VAC 1.25A, UL listed adapter provided
- Dimensions: 210mm x 159mm x 45mm (8.25" x 6.25" x 1.75")
- Shipping weight: 1.5kg (3.2 lbs.)
- Environmental: 0°C to 32°C (32°F to 90°F) with 5% to 95% non-condensing humidity
- Relay Contacts: 5A @ 30VDC/250VAC
- Ring Output: 8 REN, capable of ringing (16) 0.5 REN phones
- Talk Battery: 40V DC
- REN: 0.1A
- Connections: (30) cage clamp screw terminals
- Easy Install Kit: 4 RJ-11 connectors (1 for device and 3 for 3 phone lines)

RETAIL PACKAGE INCLUDES

- C-1000B Line Concentrator
- 1 Power Supply
- 4 RJ-11 adaptors
- Installation Manual

POPULAR APPLICATIONS

- Fax Machine
- Fax Modem
- Fax Server
- Modem
- Single Line Phone System

The C-1000B Line Concentrator is reliable and compatible!

Manufactured to strict standards in the USA.

The C-1000B Line Concentrator is compatible with virtually all analog phones lines, communications equipment and phone systems.

Sales and Product Support:

Higgins International

Toll Free: 1-866-337-0965

Phone: 1-217-337-0965

E-mail: info@faxswitch.com

<http://faxswitch.com/LineConcentrator.html>