

**A True  
Two-Line  
Call Processor  
& More!**

**Designed for use with:**

- two-line phones/answering machines
- modems & PC fax/modems
- fax machines
- credit card authorization machines
- money order machines
- check readers
- tank monitors
- POS equipment/systems
- KSU & PBX systems

**The Stick II  
gives you features  
you can utilize:**

- Automatic
  - Line Selection
  - Two-Line Call Processing
  - Two-Line Fax Detection
- Compatibility with Phone Systems
- Security Access Codes for Each Port
- Phone Line Surge Protection
- Port-to-Port Communication/Data Transfer Capabilities
- Conferencing Capabilities
- Barge-In Protection
- Line-In-Use "Busy" Signal
- Alternate Port Programming
- Call Grab & Transfer Options
- Call In/Dial Out Long Distance Saver
- UL Listed
- 3 Year U.S.A. Warranty

# THE STICK™



## *Make* your telecom budget go further by sharing devices between two phone lines!

How do you feel about the costs of dedicated phone lines? The national average cost for a business telephone line is \$50 per month. Allowing devices to share access to the same phone lines can save businesses an average of \$600 per line annually!

Wouldn't it be more efficient to have your fax machines, modems, utility monitors and other devices able to *access* and *be accessed* by more than one line? Absolutely! The Stick II is the line sharing device you need to save you money and increase your equipment's efficiency.

The Stick II is a *true* two-line call processor that allows you to share fax machines, phones, modems and other data devices between *two phone lines!* A powerful tool for businesses, The Stick II automatically routes all voice, fax and modem calls from both lines simultaneously!

The Stick II also has unique features, such as *Port-to-Port Communication and Data Transfer*, that can turn any home office or business's telephones and data devices into a mini-communications system! Scan documents, create a mini-network among computers, call extensions, conference and more! The functionality and programmability of this product is limited only by your imagination. It is a great investment for any home or business!

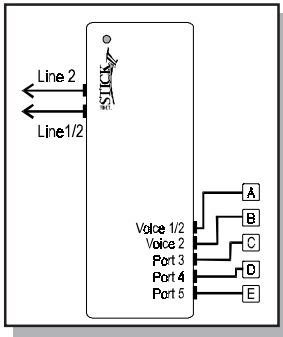
- What do you need?*
- speed in 'hunting' for available outbound line
  - speed in processing calls
  - maintain data integrity
  - auto-fax detection
  - increase line accessibility
  - stretch the telecom budget
  - more features

# Imagine the Applications!

There are many applications for The Stick II. Based on your needs and preferences, The Stick II can be programmed to work specifically for your unique situation.

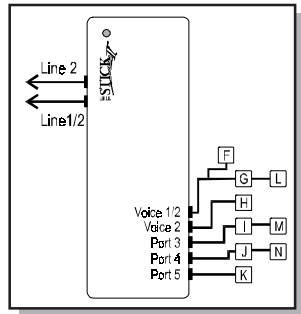
Here are two examples:

## Small Office/ Home Office



Installations can be as simple as the one above. The Stick II is a great way to manage your office communications and increase your equipment efficiency!

## Small Business, Corporate or Retail Business User



This installation is a great example of how to save money through line sharing.

- A =phone for Line 1
- B =phone for Line 2
- C =single line answering machine
- D =fax/modem
- E =computer with modem
- F =two-line phone
- G =answering machine
- H =fax/phone
- I =money order machine
- J =\*The Power Stone®
- K =modem
- L =credit card authorization machine/phone
- M =POS
- N =gas monitor

\*The Power Stone® is a Call Activated Power Controller available from Multi-Link, Inc.

## Port-to-Port Communication AND DATA TRANSFER

The Stick II does more than route calls. Communicate with any device/phone connected to The Stick II over the "internal" line. Merely dial a touch tone access code and the port number of the device you want to ring. It's similar to dialing an extension!

Connect two computers to The Stick II, at two different ports, and you can send data from one to another via their modems! It's like a mini-network!

Connect a PC with a fax/modem and a fax machine to The Stick II and the fax machine can be used to scan documents!

Receive a beep, similar to call waiting, when an outside call is trying to ring through.

**DIMENSIONAL SPECIFICATIONS:**

HEIGHT . . . . .	2.4"
LENGTH . . . . .	8.15"
WIDTH . . . . .	1.4"

Check Out  
The Stick II Manual  
Online at  
[www.multi-link.net](http://www.multi-link.net)

Call us at  
**1-800-535-4651**  
for installation, programming  
or diagnostic questions!

## Call In/Dial Out Long Distance Saver

Save money by avoiding expensive calling card charges or long distance cellular rates with The Stick II.

When away from your home or office, but in your local calling area, simply call in to The Stick II and enter your *Dial Out Line Access Code* to connect to the available second line.

Now you can make an outbound long distance call using your home or office long distance rates!



Higgins International - Multi-Link Inc.  
USA: 1-866-337-0965  
Canada: 1-866-337-0965  
Int'l: 1-217-337-0965  
Fax: 1-217-337-0586

E-mail: [info@faxswitch.com](mailto:info@faxswitch.com)  
Web Site: [www.faxswitch.com](http://www.faxswitch.com)

# The Stick II™ offers 26 programmable features with over 100 options!

## Automatic Line Sharing

The Stick II has five independent ports and allows multiple devices to share two phone lines.

## Automatic Line Select

Set and control each port's access to outbound lines.

## Alternate Ports

This feature lets you redirect the call to another port if the default port for an incoming call on Line 1 or Line 2 is in use.

## Automatic Fax Detection

Routes all calls producing CNG tones to the fax port(s).

## Data Disruption Protection

Protects data transmissions from interruption. The person attempting to call out on the line in use receives a "busy" signal.

## Call Grab & Transfer Options

Users can grab calls from extension phones and transfer them to any port with touch tone commands.

## Remote Diagnostics and Programming

Our technical support team is available toll-free to program or diagnose The Stick II over the phone!

## Programmable Security Access Codes

User-defined access codes secure programming and control.

## Three Year U.S.A. Warranty



230V Version Available

